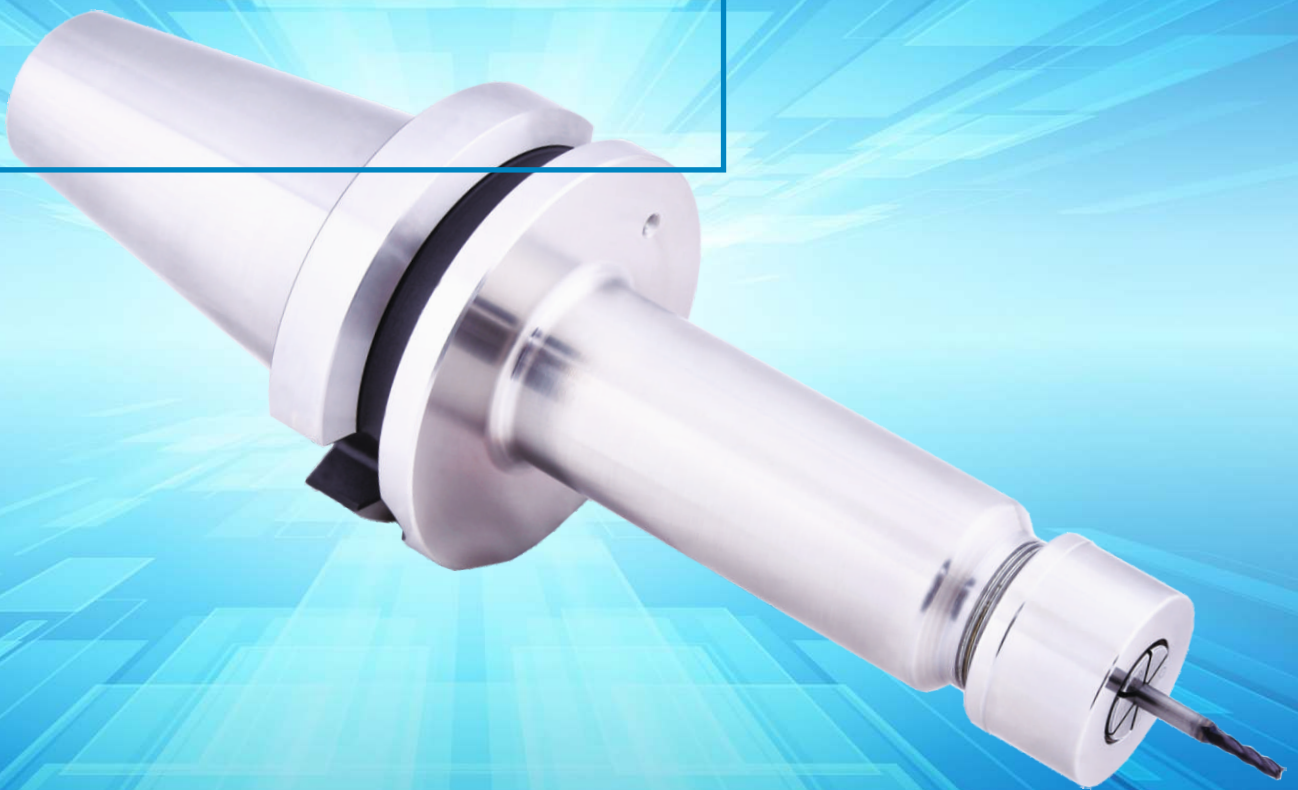


bilz

Super Collet
Spannzangenfutter
Super Collet Chuck



Hoch Spannkraft
 Rundlauf,
 Steifigkeit und
 Gleichgewicht

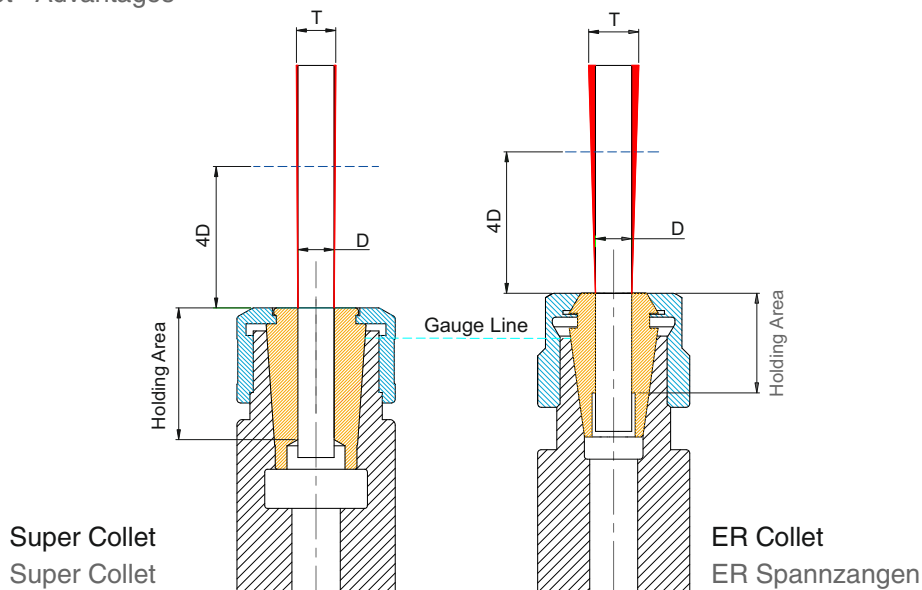
Rundlaufgenauigkeit $5\mu\text{m}$ @ 4D
 Doppelt so hohe Spannkraft wie bei
 ER-Spannzangenfutter
 Hohe Rundlaufgenauigkeit durch
 kompaktes Design



High Clamping force,
 Concentricity,
 Rigidity and balance

Run-out within $5\mu\text{m}$ @ 4D
 Gripping force double than ER
 Integrated run-out accuracy with
 compact design

Super collet - Vorteile
 Super collet - Advantages

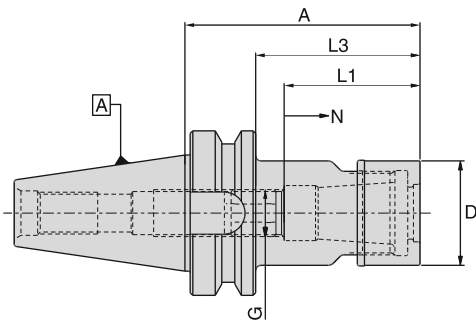


- Super Collet**
- Schlankes Design eliminiert Störungen
 - Kräfte laufen axial zur Mittellinie des Werkzeughalters um den Halt zu verbessern
 - Bessere Genauigkeit durch mehr Umschließung
- Super Collet**
- Slim design allows for better reach
 - Force is perpendicular to center line of tool holder for better grip
 - More gripping area creates better accuracy

- ER Spannzangen**
- Größere Spannzangen \varnothing = Größere Muttern \varnothing
 - Spannkräfte laufen winklig zur Mittellinie des Werkzeughalters
 - Geringere Genauigkeit durch kleinere Umschließung
- ER Collet**
- Wide collets = wide nut design
 - Force is angular to center line of tool holder
 - Less gripping area results in lesser accuracy

Super collet Spannzangenfutter (BT)

Super collet chuck (BT)



BT30											≤ 2µm	G2.5 25000 RPM	bar
Spannzange Collet Type	Bereich Range	D (mm)	A (mm)	L1 (mm)	L3 (mm)	G (mm)	N (mm)	Kühlmittelzufuhr Coolant supply	N/W (Kg)	Bezeichnung Designation	Ident No.		
SC06	2-6	19.5	60	31.5	38	M8 x1	12	Form "AD"	0,53	WSCH/SCF06-60/BT30	5100405		
SC06	2-6	19.5	90	31.5	68	M8 x1	12	Form "AD"	0,56	WSCH/SCF06-90/BT30	5100407		
SC10	2-10	27.1	60	35.0	38	M12 x1	12	Form "AD"	0,60	WSCH/SCF10-60/BT30	5100408		
SC10	2-10	27.1	90	35.0	68	M12 x1	12	Form "AD"	0,62	WSCH/SCF10-90/BT30	5100416		
SC13	3-13	33.0	60	43.0	38	M15 x1	16	Form "AD"	0,62	WSCH/SCF13-60/BT30	5100420		
SC13	3-13	33.0	90	43.0	68	M15 x1	16	Form "AD"	0,75	WSCH/SCF13-90/BT30	5100421		
SC16	3-16	40.0	60	52.0	38	M18 x1	16	Form "AD"	0,65	WSCH/SCF16-60/BT30	5100423		
SC16	3-16	40.0	90	52.0	68	M18 x1	16	Form "AD"	0,90	WSCH/SCF16-90/BT30	5100425		
SC20	6-20	48.0	60	59.5	38	M22 x1	16	Form "AD"	0,70	WSCH/SCF20-60/BT30	5100426		
SC20	6-20	48.0	90	59.5	68	M22 x1	16	Form "AD"	0,90	WSCH/SCF20-90/BT30	5100427		
SC25	6-25	55.0	90	63.5	68	M28 x1	20	Form "AD"	1,15	WSCH/SCF25-90/BT30	5100429		

BT40											≤ 2µm	G2.5 25000 RPM	bar
Spannzange Collet Type	Bereich Range	D (mm)	A (mm)	L1 (mm)	L3 (mm)	G (mm)	N (mm)	Kühlmittelzufuhr Coolant supply	N/W (Kg)	Bezeichnung Designation	Ident No.		
SC06	2-6	19.5	90	31.5	63	M8 x1	12	Form "AD"	1,10	WSCH/SCF06-90/BT40	5100431		
SC06	2-6	19.5	120	31.5	93	M8 x1	12	Form "AD"	1,20	WSCH/SCF06-120/BT40	5100434		
SC06	2-6	19.5	150	31.5	123	M8 x1	12	Form "AD"	1,25	WSCH/SCF06-150/BT40	5100435		
SC10	2-10	27.1	90	35.0	63	M12 x1	12	Form "AD"	1,20	WSCH/SCF10-90/BT40	5100436		
SC10	2-10	27.1	120	35.0	93	M12 x1	12	Form "AD"	1,35	WSCH/SCF10-120/BT40	5100437		
SC10	2-10	27.1	150	35.0	123	M12 x1	12	Form "AD"	1,45	WSCH/SCF10-150/BT40	5100439		
SC13	3-13	33.0	90	43.0	63	M15 x1	16	Form "AD"	1,40	WSCH/SCF13-90/BT40	5100441		
SC13	3-13	33.0	120	43.0	93	M15 x1	16	Form "AD"	1,50	WSCH/SCF13-120/BT40	5100442		
SC13	3-13	33.0	150	43.0	123	M15 x1	16	Form "AD"	1,71	WSCH/SCF13-150/BT40	5100443		
SC16	3-16	40.0	90	52.0	63	M18 x1	16	Form "AD"	1,50	WSCH/SCF16-90/BT40	5100444		
SC16	3-16	40.0	120	52.0	93	M18 x1	16	Form "AD"	1,70	WSCH/SCF16-120/BT40	5100446		
SC16	3-16	40.0	150	52.0	123	M18 x1	16	Form "AD"	2,00	WSCH/SCF16-150/BT40	5100447		
SC20	6-20	48.0	90	59.5	63	M22 x1	16	Form "AD"	1,41	WSCH/SCF20-90/BT40	5100448		
SC20	6-20	48.0	120	59.5	93	M22 x1	16	Form "AD"	2,01	WSCH/SCF20-120/BT40	5100449		
SC20	6-20	48.0	150	59.5	123	M22 x1	16	Form "AD"	2,45	WSCH/SCF20-150/BT40	5100450		
SC25	6-25	55.0	90	63.5	63	M28 x1	20	Form "AD"	1,55	WSCH/SCF25-90/BT40	5100452		
SC25	6-25	55.0	120	63.5	93	M28 x1	20	Form "AD"	2,20	WSCH/SCF25-120/BT40	5100453		
SC25	6-25	55.0	150	63.5	123	M28 x1	20	Form "AD"	2,70	WSCH/SCF25-150/BT40	5100456		

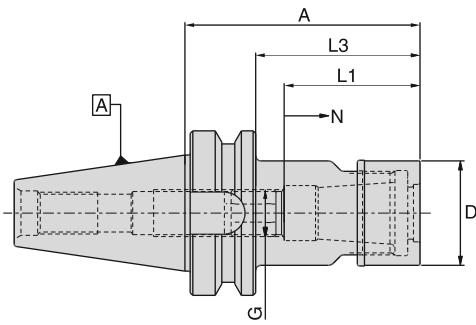
Ersatzteile und Zubehör / Spare Parts & Accessories:



- Im Lieferumfang enthalten: mit Spannmutter (gewuchtet) und Verstellechraube
- Delivery includes: Clamping nut (friction type), Adjusting screw

Super collet Spannzangenfutter (BT)

Super collet chuck (BT)



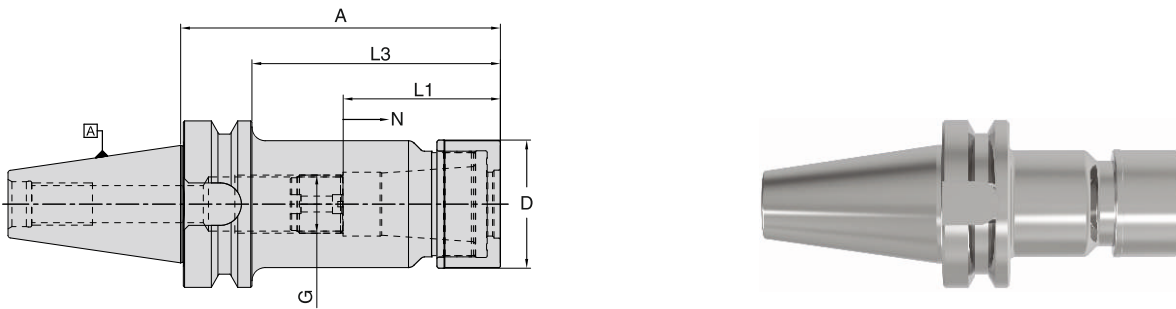
BT50													
Spannzange Collet Type	Bereich Range	D (mm)	A (mm)	L1 (mm)	L3 (mm)	G (mm)	N (mm)	Kühlmittelzufuhr Coolant supply	N/W (Kg)	Bezeichnung Designation	Ident No.		
SC06	2-6	19.5	105	31.5	67	M8 x1	12	Form "AD"	3,70	WSCH/SCF06-105/BT50	5100457		
SC06	2-6	19.5	135	31.5	97	M8 x1	12	Form "AD"	3,80	WSCH/SCF06-135/BT50	5100458		
SC06	2-6	19.5	165	31.5	127	M8 x1	12	Form "AD"	3,85	WSCH/SCF06-165/BT50	5100459		
SC10	2-10	27.1	105	35.0	67	M12 x1	12	Form "AD"	3,85	WSCH/SCF10-105/BT50	5100460		
SC10	2-10	27.1	135	35.0	97	M12 x1	12	Form "AD"	3,92	WSCH/SCF10-135/BT50	5100461		
SC10	2-10	27.1	165	35.0	127	M12 x1	12	Form "AD"	4,10	WSCH/SCF10-165/BT50	5100462		
SC13	3-13	33.0	105	43.0	67	M15 x1	16	Form "AD"	4,10	WSCH/SCF13-105/BT50	5101997		
SC13	3-13	33.0	135	43.0	97	M15 x1	16	Form "AD"	4,20	WSCH/SCF13-135/BT50	5101998		
SC13	3-13	33.0	165	43.0	127	M15 x1	16	Form "AD"	4,35	WSCH/SCF13-165/BT50	5101999		
SC16	3-16	40.0	105	52.0	67	M18 x1.5	16	Form "AD"	4,10	WSCH/SCF16-105/BT50	5102000		
SC16	3-16	40.0	135	52.0	97	M18 x1.5	16	Form "AD"	4,30	WSCH/SCF16-135/BT50	5102001		
SC16	3-16	40.0	165	52.0	127	M18 x1.5	16	Form "AD"	4,50	WSCH/SCF16-165/BT50	5102002		
SC20	6-20	48.0	105	59.5	67	M22 x1.5	16	Form "AD"	4,30	WSCH/SCF20-105/BT50	5102003		
SC20	6-20	48.0	135	59.5	97	M22 x1.5	16	Form "AD"	4,65	WSCH/SCF20-135/BT50	5102004		
SC20	6-20	48.0	165	59.5	127	M22 x1.5	16	Form "AD"	5,00	WSCH/SCF20-165/BT50	5102005		
SC25	6-25	55.0	105	63.5	67	M28 x1.5	20	Form "AD"	4,30	WSCH/SCF25-105/BT50	5102006		
SC25	6-25	55.0	135	63.5	97	M28 x1.5	20	Form "AD"	4,80	WSCH/SCF25-135/BT50	5102007		
SC25	6-25	55.0	165	63.5	127	M28 x1.5	20	Form "AD"	5,30	WSCH/SCF25-165/BT50	5102008		

Ersatzteile und Zubehör / Spare Parts & Accessories:

• Im Lieferumfang enthalten: mit Spannmutter (gewuchtet) und Verstelle schraube • Delivery includes: Clamping nut (friction type), Adjusting screw

Super collet Spannzangenfutter (FBT)

Super collet chuck (FBT)



FBT30											≤ 2µm	G2.5 25000 R.P.M.	bar
Spannzange Collet Type	Bereich Range	D (mm)	A (mm)	L1 (mm)	L3 (mm)	G (mm)	N (mm)	Kühlmittelzufuhr Coolant supply	N/W (Kg)	Bezeichnung Designation	Ident No.		
SC06	2-6	19.5	60	31.5	38	M8 x1	12	Form "AD"	0,53	WSCH/SCF06-60/FBT30	5127036		
SC10	2-10	27.1	60	35.0	38	M12 x1	12	Form "AD"	0,60	WSCH/SCF10-60/FBT30	5127039		
SC13	3-13	33.0	60	43.0	38	M15 x1	16	Form "AD"	0,62	WSCH/SCF13-60/FBT30	5127041		
SC16	3-16	40.0	60	52.0	38	M18 x1.5	16	Form "AD"	0,65	WSCH/SCF16-60/FBT30	5127052		
SC20	6-20	48.0	60	59.5	38	M22 x1.5	16	Form "AD"	0,70	WSCH/SCF20-60/FBT30	5127053		

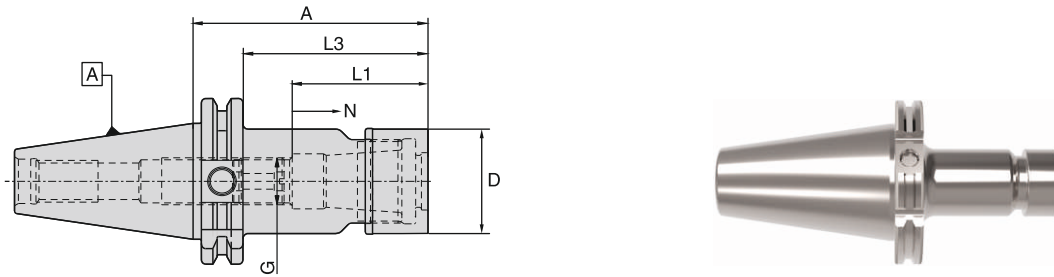
FBT40											≤ 2µm	G2.5 25000 R.P.M.	bar
Spannzange Collet Type	Bereich Range	D (mm)	A (mm)	L1 (mm)	L3 (mm)	G (mm)	N (mm)	Kühlmittelzufuhr Coolant supply	N/W (Kg)	Bezeichnung Designation	Ident No.		
SC06	2-6	19.5	90	31.5	63	M8 x1	12	Form "AD"	1,10	WSCH/SCF06-90/FBT40	5127054		
SC06	2-6	19.5	120	31.5	93	M8 x1	12	Form "AD"	1,20	WSCH/SCF06-120/FBT40	5127061		
SC10	2-10	27.1	90	35.0	63	M12 x1	12	Form "AD"	1,20	WSCH/SCF10-90/FBT40	5127055		
SC10	2-10	27.1	120	35.0	93	M12 x1	12	Form "AD"	1,35	WSCH/SCF10-120/FBT40	5127065		
SC13	3-13	33.0	90	43.0	63	M15 x1	16	Form "AD"	1,40	WSCH/SCF13-90/FBT40	5127056		
SC13	3-13	33.0	120	43.0	93	M15 x1	16	Form "AD"	1,50	WSCH/SCF13-120/FBT40	5127067		
SC16	3-16	40.0	90	52.0	63	M18 x1.5	16	Form "AD"	1,50	WSCH/SCF16-90/FBT40	5127057		
SC16	3-16	40.0	120	52.0	93	M18 x1.5	16	Form "AD"	1,70	WSCH/SCF16-120/FBT40	5127073		
SC20	6-20	48.0	90	59.5	63	M22 x1.5	16	Form "AD"	1,41	WSCH/SCF20-90/FBT40	5127058		
SC20	6-20	48.0	120	59.5	93	M22 x1.5	16	Form "AD"	2,01	WSCH/SCF20-120/FBT40	5127074		
SC25	6-25	55.0	90	63.5	63	M28 x1.5	20	Form "AD"	1,55	WSCH/SCF25-90/FBT40	5127059		
SC25	6-25	55.0	120	63.5	93	M28 x1.5	20	Form "AD"	2,20	WSCH/SCF25-120/FBT40	5127075		

FBT50											≤ 2µm	G2.5 25000 R.P.M.	bar
Spannzange Collet Type	Bereich Range	D (mm)	A (mm)	L1 (mm)	L3 (mm)	G (mm)	N (mm)	Kühlmittelzufuhr Coolant supply	N/W (Kg)	Bezeichnung Designation	Ident No.		
SC06	2-6	19.5	105	31.5	67	M8 x1	12	Form "AD"	3,70	WSCH/SCF06-105/FBT50	5127845		
SC06	2-6	19.5	165	31.5	127	M8 x1	12	Form "AD"	3,85	WSCH/SCF06-165/FBT50	5127851		
SC10	2-10	27.1	105	35.0	67	M12 x1	12	Form "AD"	3,85	WSCH/SCF10-105/FBT50	5127846		
SC10	2-10	27.1	165	35.0	127	M12 x1	12	Form "AD"	4,10	WSCH/SCF10-165/FBT50	5127852		
SC13	3-13	33.0	105	43.0	67	M15 x1	16	Form "AD"	4,10	WSCH/SCF13-105/FBT50	5127847		
SC13	3-13	33.0	165	43.0	127	M15 x1	16	Form "AD"	4,35	WSCH/SCF13-165/FBT50	5127853		
SC16	3-16	40.0	105	52.0	67	M18 x1.5	16	Form "AD"	4,10	WSCH/SCF16-105/FBT50	5127848		
SC16	3-16	40.0	165	52.0	127	M18 x1.5	16	Form "AD"	4,50	WSCH/SCF16-165/FBT50	5127854		
SC20	6-20	48.0	105	59.5	67	M22 x1.5	16	Form "AD"	4,30	WSCH/SCF20-105/FBT50	5127849		
SC20	6-20	48.0	165	59.5	127	M22 x1.5	16	Form "AD"	5,00	WSCH/SCF20-165/FBT50	5127855		
SC25	6-25	55.0	105	63.5	67	M28 x1.5	20	Form "AD"	4,30	WSCH/SCF25-105/FBT50	5127850		
SC25	6-25	55.0	165	63.5	127	M28 x1.5	20	Form "AD"	5,30	WSCH/SCF25-165/FBT50	5127856		

Ersatzteile und Zubehör / Spare Parts & Accessories:														
• Im Lieferumfang enthalten: mit Spannmutter (gewuchtet) und Verstellechraube											• Delivery includes: Clamping nut (friction type), Adjusting screw			

Super collet Spannzangenfutter (SK)

Super collet chuck (SK)



SK40											
Spannzange Collet Type	Bereich Range	D (mm)	A (mm)	L1 (mm)	L3 (mm)	G (mm)	N (mm)	Kühlmittelezufuhr Coolant supply	N/W (Kg)	Bezeichnung Designation	Ident No.
SC06	2-6	19.5	90	31.5	70.9	M8 x1	12	Form "AD"	1,05	WSCH/SCF06-90/SK40	5102046
SC06	2-6	19.5	120	31.5	100.9	M8 x1	12	Form "AD"	1,10	WSCH/SCF06-120/SK40	5102048
SC06	2-6	19.5	150	31.5	130.9	M8 x1	12	Form "AD"	1,25	WSCH/SCF06-150/SK40	5102050
SC10	2-10	27.1	90	35.0	70.9	M12 x1	12	Form "AD"	1,15	WSCH/SCF10-90/SK40	5102051
SC10	2-10	27.1	120	35.0	100.9	M12 x1	12	Form "AD"	1,35	WSCH/SCF10-120/SK40	5102053
SC10	2-10	27.1	150	35.0	130.9	M12 x1	12	Form "AD"	1,40	WSCH/SCF10-150/SK40	5102057
SC13	3-13	33.0	90	43.0	70.9	M15 x1	16	Form "AD"	1,20	WSCH/SCF13-90/SK40	5102059
SC13	3-13	33.0	120	43.0	100.9	M15 x1	16	Form "AD"	1,45	WSCH/SCF13-120/SK40	5102060
SC13	3-13	33.0	150	43.0	130.9	M15 x1	16	Form "AD"	1,60	WSCH/SCF13-150/SK40	5102061
SC16	3-16	40.0	90	52.0	70.9	M18 x1.5	16	Form "AD"	1,40	WSCH/SCF16-90/SK40	5102062
SC16	3-16	40.0	120	52.0	100.9	M18 x1.5	16	Form "AD"	1,60	WSCH/SCF16-120/SK40	5102063
SC16	3-16	40.0	150	52.0	130.9	M18 x1.5	16	Form "AD"	1,90	WSCH/SCF16-150/SK40	5102068
SC20	6-20	48.0	90	59.5	70.9	M22 x1.5	16	Form "AD"	1,60	WSCH/SCF20-90/SK40	5102070
SC20	6-20	48.0	120	59.5	100.9	M22 x1.5	16	Form "AD"	2,00	WSCH/SCF20-120/SK40	5102071
SC20	6-20	48.0	150	59.5	130.9	M22 x1.5	16	Form "AD"	2,35	WSCH/SCF20-150/SK40	5102072
SC25	6-25	55.0	90	63.5	70.9	M28 x1.5	20	Form "AD"	1,40	WSCH/SCF25-90/SK40	5102073
SC25	6-25	55.0	120	63.5	100.9	M28 x1.5	20	Form "AD"	1,80	WSCH/SCF25-120/SK40	5102074
SC25	6-25	55.0	150	63.5	130.9	M28 x1.5	20	Form "AD"	2,10	WSCH/SCF25-150/SK40	5102075

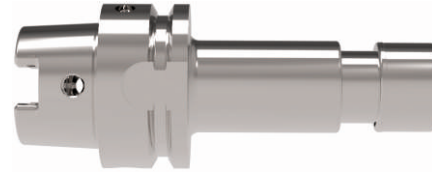
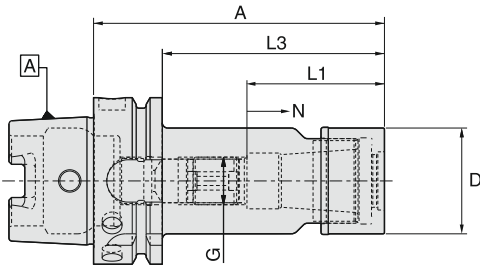
SK50											
Spannzange Collet Type	Bereich Range	D (mm)	A (mm)	L1 (mm)	L3 (mm)	G (mm)	N (mm)	Kühlmittelezufuhr Coolant supply	N/W (Kg)	Bezeichnung Designation	Ident No.
SC06	2-6	19.5	105	31.5	70.9	M8 x1	12	Form "AD"	2,90	WSCH/SCF06-105/SK50	5102076
SC06	2-6	19.5	135	31.5	100.9	M8 x1	12	Form "AD"	2,95	WSCH/SCF06-135/SK50	5102077
SC06	2-6	19.5	165	31.5	130.9	M8 x1	12	Form "AD"	3,00	WSCH/SCF06-165/SK50	5102078
SC10	2-10	27.1	105	35.0	70.9	M12 x1	12	Form "AD"	3,05	WSCH/SCF10-105/SK50	5102079
SC10	2-10	27.1	135	35.0	100.9	M12 x1	12	Form "AD"	3,15	WSCH/SCF10-135/SK50	5102080
SC10	2-10	27.1	165	35.0	130.9	M12 x1	12	Form "AD"	3,35	WSCH/SCF10-165/SK50	5102081
SC13	3-13	33.0	105	43.0	70.9	M15 x1	16	Form "AD"	3,20	WSCH/SCF13-105/SK50	5102082
SC13	3-13	33.0	135	43.0	100.9	M15 x1	16	Form "AD"	3,30	WSCH/SCF13-135/SK50	5102083
SC13	3-13	33.0	165	43.0	130.9	M15 x1	16	Form "AD"	3,50	WSCH/SCF13-165/SK50	5102084
SC16	3-16	40.0	105	52.0	70.9	M18 x1.5	16	Form "AD"	3,30	WSCH/SCF16-105/SK50	5102085
SC16	3-16	40.0	135	52.0	100.9	M18 x1.5	16	Form "AD"	3,50	WSCH/SCF16-135/SK50	5102086
SC16	3-16	40.0	165	52.0	130.9	M18 x1.5	16	Form "AD"	3,80	WSCH/SCF16-165/SK50	5102087
SC20	6-20	48.0	105	59.5	70.9	M22 x1.5	16	Form "AD"	3,65	WSCH/SCF20-105/SK50	5102088
SC20	6-20	48.0	135	59.5	100.9	M22 x1.5	16	Form "AD"	3,85	WSCH/SCF20-135/SK50	5102089
SC20	6-20	48.0	165	59.5	130.9	M22 x1.5	16	Form "AD"	4,25	WSCH/SCF20-165/SK50	5102091
SC25	6-25	55.0	105	63.5	70.9	M28 x1.5	20	Form "AD"	3,40	WSCH/SCF25-105/SK50	5102092
SC25	6-25	55.0	135	63.5	100.9	M28 x1.5	20	Form "AD"	3,70	WSCH/SCF25-135/SK50	5102093
SC25	6-25	55.0	165	63.5	130.9	M28 x1.5	20	Form "AD"	4,00	WSCH/SCF25-165/SK50	5102095

Ersatzteile und Zubehör / Spare Parts & Accessories:    

• Im Lieferumfang enthalten: Spannmutter (gewuchtet) und Einstellschraube • Delivery includes: Clamping nut (friction type), Adjusting screw

Super collet Spannzangenfutter (HSK)

Super collet chuck (HSK)



HSK-A50											
Spannzange Collet Type	Bereich Range	D (mm)	A (mm)	L1 (mm)	L3 (mm)	G (mm)	N (mm)	Kühlmittelezufuhr Coolant supply	N/W (Kg)	Bezeichnung Designation	Ident No.
SC06	2-6	19.5	80	31.5	54	M8 x1	12	Form "AD"	0,70	WSCH/SCF06-80/HSK-A50	5102129
SC10	2-10	27.1	100	35.0	74	M12 x1	12	Form "AD"	0,80	WSCH/SCF10-100/HSK-A50	5102130
SC13	3-13	33.0	100	43.0	74	M15 x1	16	Form "AD"	0,80	WSCH/SCF13-100/HSK-A50	5102131



HSK-A63											
Spannzange Collet Type	Bereich Range	D (mm)	A (mm)	L1 (mm)	L3 (mm)	G (mm)	N (mm)	Kühlmittelezufuhr Coolant supply	N/W (Kg)	Bezeichnung Designation	Ident No.
SC06	2-6	19.5	100	31.5	74	M8 x1	12	Form "AD"	0,95	WSCH/SCF06-100/HSK-A63	5102132
SC06	2-6	19.5	120	31.5	94	M8 x1	12	Form "AD"	1,10	WSCH/SCF06-120/HSK-A63	5102133
SC06	2-6	19.5	150	31.5	124	M8 x1	12	Form "AD"	1,15	WSCH/SCF06-150/HSK-A63	5102134
SC10	2-10	27.1	105	35.0	79	M12 x1	12	Form "AD"	1,05	WSCH/SCF10-105/HSK-A63	5102135
SC10	2-10	27.1	120	35.0	94	M12 x1	12	Form "AD"	1,15	WSCH/SCF10-120/HSK-A63	5102136
SC10	2-10	27.1	150	35.0	124	M12 x1	12	Form "AD"	1,30	WSCH/SCF10-150/HSK-A63	5102137
SC13	3-13	33.0	120	43.0	94	M15 x1	16	Form "AD"	1,25	WSCH/SCF13-120/HSK-A63	5102138
SC13	3-13	33.0	150	43.0	124	M15 x1	16	Form "AD"	1,45	WSCH/SCF13-150/HSK-A63	5102141
SC16	3-16	40.0	120	52.0	94	M18 x1.5	16	Form "AD"	1,50	WSCH/SCF16-120/HSK-A63	5102142
SC16	3-16	40.0	150	52.0	124	M18 x1.5	16	Form "AD"	1,80	WSCH/SCF16-150/HSK-A63	5102143
SC20	6-20	48.0	120	59.5	94	M22 x1.5	16	Form "AD"	1,80	WSCH/SCF20-120/HSK-A63	5102144
SC20	6-20	48.0	150	59.5	124	M22 x1.5	16	Form "AD"	2,10	WSCH/SCF20-150/HSK-A63	5102145
SC25	6-25	55.0	135	63.5	109	M28 x1.5	20	Form "AD"	2,30	WSCH/SCF25-135/HSK-A63	5102146



HSK-A100											
Spannzange Collet Type	Bereich Range	D (mm)	A (mm)	L1 (mm)	L3 (mm)	G (mm)	N (mm)	Kühlmittelezufuhr Coolant supply	N/W (Kg)	Bezeichnung Designation	Ident No.
SC06	2-6	19.5	105	31.5	76	M8 x1	12	Form "AD"	2,30	WSCH/SCF06-105/HSK-A100	5102188
SC10	2-10	27.1	105	35.0	76	M12 x1	12	Form "AD"	2,35	WSCH/SCF10-105/HSK-A100	5102189
SC10	2-10	27.1	120	35.0	91	M12 x1	12	Form "AD"	2,50	WSCH/SCF10-120/HSK-A100	5102190
SC10	2-10	27.1	150	35.0	121	M12 x1	12	Form "AD"	2,60	WSCH/SCF10-150/HSK-A100	5102191
SC13	3-13	33.0	120	43.0	91	M15 x1	16	Form "AD"	2,65	WSCH/SCF13-120/HSK-A100	5102192
SC13	3-13	33.0	150	43.0	121	M15 x1	16	Form "AD"	2,80	WSCH/SCF13-150/HSK-A100	5102193
SC16	3-16	40.0	120	52.0	91	M18 x1.5	16	Form "AD"	2,85	WSCH/SCF16-120/HSK-A100	5102194
SC16	3-16	40.0	150	52.0	121	M18 x1.5	16	Form "AD"	3,10	WSCH/SCF16-150/HSK-A100	5102195
SC20	6-20	48.0	120	59.5	91	M22 x1.5	16	Form "AD"	3,10	WSCH/SCF20-120/HSK-A100	5102196
SC20	6-20	48.0	150	59.5	121	M22 x1.5	16	Form "AD"	3,50	WSCH/SCF20-150/HSK-A100	5102197
SC25	6-25	55.0	145	63.5	116	M28 x1.5	20	Form "AD"	3,60	WSCH/SCF25-145/HSK-A100	5102198

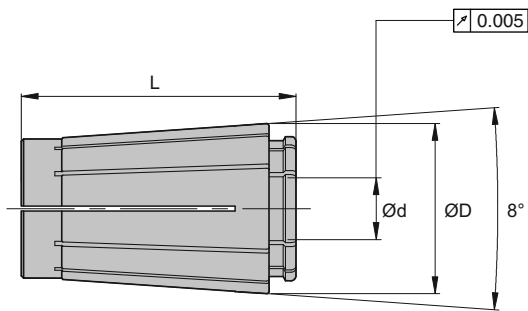


Ersatzteile und Zubehör / Spare Parts & Accessories:

- Im Lieferumfang enthalten: Spannmutter (gewuchtet) und Einstellschraube
- Kühlmittelrohr bitte separat bestellen
- Delivery includes: Clamping nut (friction type), Adjusting screw
- Please order coolant tube separately

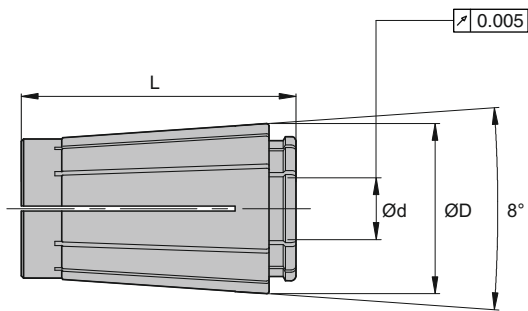
Super collet Spannzangen - Zubehör für Super collet Spannzangenfutter

Super collet - Spare parts for Super collet chuck



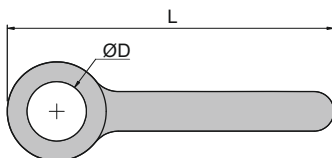
Spannzange Collet Type	Bereich Range	d (mm)	L (mm)	D (mm)	Ident No.
SC06-2.0	1.75-2.00	2.0	25	11	5103501
SC06-2.5	2.25-2.50	2.5	25	11	5103503
SC06-3.0	2.75-3.00	3.0	25	11	5103504
SC06-3.5	3.00-3.50	3.5	25	11	5103505
SC06-4.0	3.50-4.00	4.0	25	11	5103506
SC06-4.5	4.00-4.50	4.5	25	11	5103507
SC06-5.0	4.50-5.00	5.0	25	11	5103511
SC06-5.5	5.00-5.50	5.5	25	11	5103512
SC06-6.0	5.50-6.00	6.0	25	11	5103513
SC10-2.0	1.75-2.00	2.0	30	16	5103572
SC10-2.5	2.25-2.50	2.5	30	16	5103574
SC10-3.0	2.75-3.00	3.0	30	16	5103575
SC10-3.5	3.00-3.50	3.5	30	16	5103576
SC10-4.0	3.50-4.00	4.0	30	16	5103577
SC10-4.5	4.00-4.50	4.5	30	16	5103578
SC10-5.0	4.50-5.00	5.0	30	16	5103579
SC10-5.5	5.00-5.50	5.5	30	16	5103580
SC10-6.0	5.50-6.00	6.0	30	16	5103581
SC10-6.5	6.00-6.50	6.5	30	16	5103582
SC10-7.0	6.50-7.00	7.0	30	16	5103583
SC10-7.5	7.00-7.50	7.5	30	16	5103584
SC10-8.0	7.50-8.00	8.0	30	16	5103585
SC10-8.5	8.00-8.50	8.5	30	16	5103586
SC10-9.0	8.50-9.00	9.0	30	16	5103587
SC10-9.5	9.00-9.50	9.5	30	16	5103588
SC10-10.0	9.50-10.00	10.0	30	16	5103589
SC13-3.0	2.75-3.00	3.0	39	20	5103654
SC13-3.5	3.00-3.50	3.5	39	20	5103655
SC13-4.0	3.50-4.00	4.0	39	20	5103656
SC13-4.5	4.00-4.50	4.5	39	20	5103657
SC13-5.0	4.50-5.00	5.0	39	20	5103658
SC13-5.5	5.00-5.50	5.5	39	20	5103659
SC13-6.0	5.50-6.00	6.0	39	20	5103660
SC13-6.5	6.00-6.50	6.5	39	20	5103661
SC13-7.0	6.50-7.00	7.0	39	20	5103662
SC13-7.5	7.00-7.50	7.5	39	20	5103663
SC13-8.0	7.50-8.00	8.0	39	20	5103664
SC13-8.5	8.00-8.50	8.5	39	20	5103665
SC13-9.0	8.50-9.00	9.0	39	20	5103667
SC13-9.5	9.00-9.50	9.5	39	20	5103668
SC13-10.0	9.50-10.00	10.0	39	20	5103669
SC13-10.5	10.00-10.50	10.5	39	20	5103670
SC13-11.0	10.50-11.00	11.0	39	20	5103671
SC13-11.5	11.00-11.50	11.5	39	20	5103672
SC13-12.0	11.50-12.00	12.0	39	20	5103673
SC13-12.5	12.00-12.50	12.5	39	20	5103674
SC13-13.0	12.50-13.00	13.0	39	20	5103675

Super collet Spannzangen - Zubehör für Super collet Spannzangenfutter
 Super collet - Spare parts for Super collet chuck



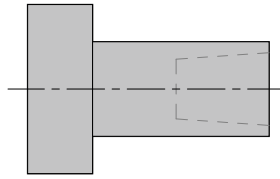
Spannzange Collet Type	Bereich Range	d (mm)	L (mm)	D (mm)	Ident No.
SC16-3.0	2.75-3.00	3.0	45	25	5103676
SC16-4.0	3.50-4.00	4.0	45	25	5103678
SC16-5.0	4.50-5.00	5.0	45	25	5103680
SC16-6.0	5.50-6.00	6.0	45	25	5103681
SC16-8.0	7.50-8.00	8.0	45	25	5103682
SC16-10.0	9.50-10.00	10.0	45	25	5103683
SC16-12.0	11.50-12.00	12.0	45	25	5103684
SC16-14.0	13.50-14.00	14.0	45	25	5175048
SC16-16.0	15.50-16.00	16.0	45	25	5103685
SC20-6.0	5.50-6.00	6.0	50	30	5103952
SC20-8.0	7.50-8.00	8.0	50	30	5103953
SC20-10.0	9.50-10.00	10.0	50	30	5103954
SC20-12.0	11.50-12.00	12.0	50	30	5103970
SC20-14.0	13.50-14.00	14.0	50	30	5103972
SC20-16.0	15.50-16.00	16.0	50	30	5103974
SC20-18.0	17.50-18.00	18.0	50	30	5103976
SC20-20.0	19.50-20.00	20.0	50	30	5103977
SC25-6.0	6.00-6.50	6.0	57	36	5104103
SC25-8.0	7.50-8.00	8.0	57	36	5104104
SC25-10.0	9.50-10.00	10.0	57	36	5104105
SC25-12.0	11.50-12.00	12.0	57	36	5104106
SC25-16.0	15.50-16.00	16.0	57	36	5104107
SC25-20.0	19.50-20.00	20.0	57	36	5104108
SC25-25.0	24.50-25.00	25.0	57	36	5104109

Rollspannschlüssel
 Friction Wrench



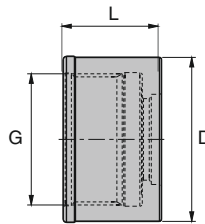
Bezeichnung Designation	Spannzange Collet Type	D (mm)	L (mm)	Ident No.
FW-D19.5	SCN06-FN	19.5	130	5102205
FW-D27.1	SCN10-FN	27.1	135	5103190
FW-D33	SCN13-FN	33.0	160	5102206
FW-D40	SCN16-FN	40.0	180	5102207
FW-D48	SCN20-FN	48.0	210	5103191
FW-D55	SCN25-FN	55.0	300	5102209

Super collet Spannzangen - Zubehör für Super collet Spannzangenfutter
 Super collet - Spare parts for Super collet chuck



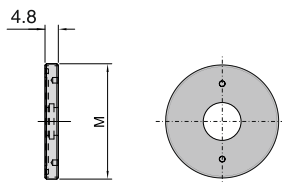
Spannzange Collet Type	Ident No.
SCP06	5152778
SCP10	5152779
SCP13	5152780
SCP16	5152781
SCP20	5152782
SCP25	5152783

Spannmutter für Rollspannschlüssel (für Super collet Spannzangenfutter)
 Friction Nut (for Super collet chuck)



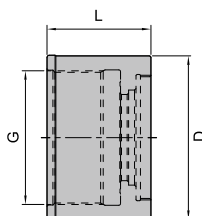
Spannzange Collet Type	Bereich Range	ØD (mm)	L (mm)	G (mm)	Ident No.
SCN06-FN	2.0-6.0	19.5	15	M15.5x1	5102199
SCN10-FN	2.0-10.0	27.1	17	M21.5x1	5102200
SCN13-FN	3.0-13.0	33.0	21	M27x1	5102201
SCN16-FN	4.0-16.0	40.0	24	M32x1.5	5102202
SCN20-FN	6.0-20.0	48.0	24	M40x1	5102203
SCN25-FN	16.0-25.0	55.0	30	M45x1.5	5102204

Dichtscheibe
 Sealing disc



Dichtebereich Sealing Range mm	Id. No. SD-SC06 M16x1	Id. No. SD-SC10 M22x1	Id. No. SD-SC13 M28x1	Id. No. SD-SC16 M34x1	Id. No. SD-SC20 M36x1	Id. No. SD-SC25 M42x1
4.0	5152620	5152739	5152744	5152750		
5.0	5152622	5152740	5152745	5152751		
6.0	5152738	5152741	5152746	5152752	5152757	5152763
8.0		5152742	5152747	5152753	5152758	5152765
10.0		5152743	5152748	5152754	5152759	5152766
12.0			5152749	5152755	5152760	5152767
16.0				5152756	5152761	5152768
20.0					5152762	5152769
25.0						5152770

Spannmutter mit innerer Kühlung für Dichtscheibe
 Friction nut with internal coolant



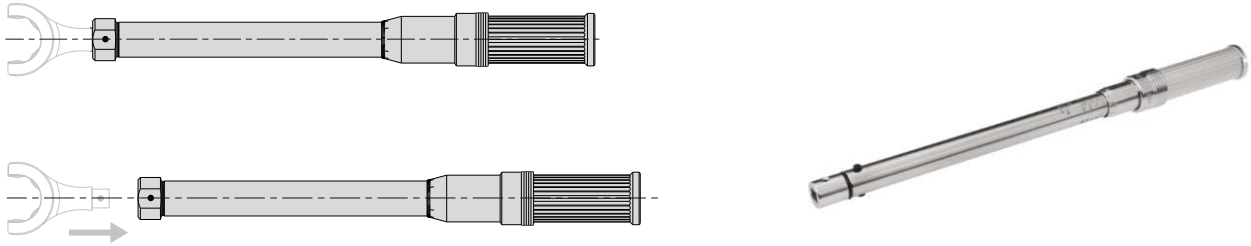
Spannzange Collet Type	Bereich Range	ØD (mm)	L (mm)	G (mm)	Ident No.
SCN06-IC-FN	2.0-6.0	19.5	20	M15.5x1	5152771
SCN10-IC-FN	2.0-10.0	27.1	22	M21.5x1	5152772
SCN13-IC-FN	3.0-13.0	33.0	26	M27x1	5152773
SCN16-IC-FN	4.0-16.0	40.0	29	M32x1.5	5152774
SCN20-IC-FN	6.0-20.0	48.0	29	M40x1	5152775
SCN25-IC-FN	6.0-25.0	55.0	35	M45x1.5	5152776

Stirnlochschlüssel
 Adjustable pin wrench



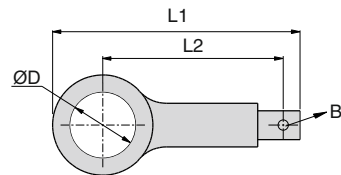
Spannzange Collet Type	Ident No.
GWA0	6721800

Drehmomentschlüssel Torque wrench



Bezeichnung Designation	Schaftgröße (mm) Shank size (mm)	Drehmoment (Nm) Torque range (Nm)	Inkrement (mm) Increment (Nm)	Länge x Ø (mm) Length x Ø (mm)	Ident. No.
TW01-9X12-6-30	9 x 12	6 - 30	0.2	306 x 38	5172645
TW02-9X12-25-125	9 x 12	25 - 125	1.0	430 x 38	5172646

Aufsteckschlüssel Torque Wrench Head (for Super collet chuck)



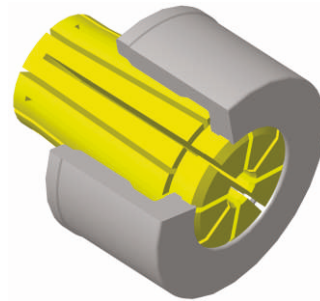
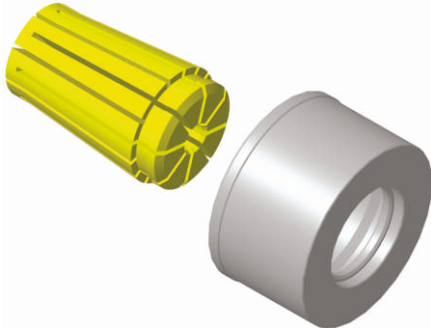
Bezeichnung Designation	Spannzange Collet Type	D (mm)	L1 (mm)	L2 (mm)	B (mm)	Ident. No.
TWH-FW-D19.5	SCN06-FN	19.5	99.5	75	9x12	5172619
TWH-FW-D27.1	SCN10-FN	27.1	103.0	75	9x12	5172620
TWH-FW-D33	SCN13-FN	33.0	108.5	75	9x12	5172622
TWH-FW-D40	SCN16-FN	40.0	111.0	75	9x12	5172623
TWH-FW-D48	SCN20-FN	48.0	115.0	75	9x12	5172625
TWH-FW-D55	SCN25-FN	55.0	121.5	75	9x12	5172627

Anzugsmoment Diagramm Tightening Torque Chart

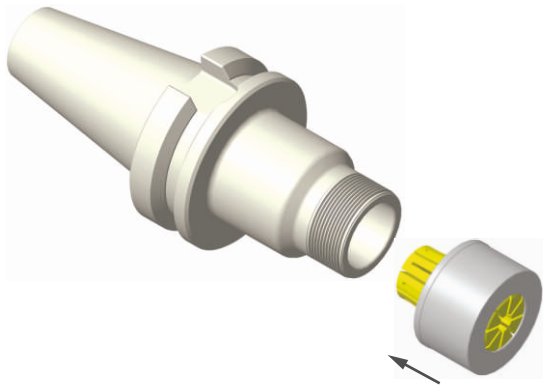
Type	Spannbereich Clamping Range Ø	Auszugsmoment (Nm) Tightening Torque (Nm)	Schlüssel Suitable for Wrench	Drehmoment- schlüssel Suitable Torque wrench	Aufsteckschlüssel passend für Drehmomentschlüssel Suitable Torque wrench head
Super Chuck	SCF06	20	FW-D19.5	TW01-9X12-6-30	TWH-FW-D19.5
	SCF10	25	FW-D27.1	TW02-9X12-25-125	TWH-FW-D27.1
	SCF13	30	FW-D33	TW02-9X12-25-125	TWH-FW-D33
	SCF16	40	FW-D40	TW02-9X12-25-125	TWH-FW-D40
	SCF20	50	FW-D48	TW02-9X12-25-125	TWH-FW-D48
	SCF25	60	FW-D55	TW02-9X12-25-125	TWH-FW-D55

Super collet Spannzangenfutter - Betriebsanleitung
 Super collet chuck - Operating Instructions

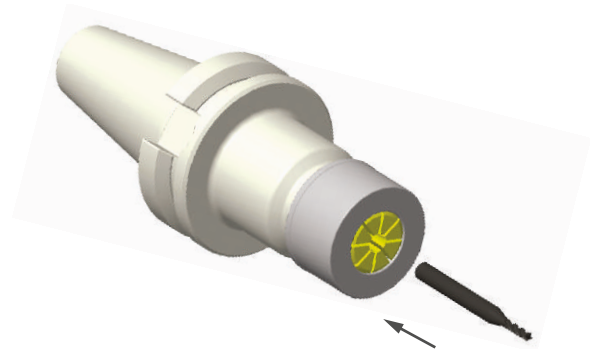
1. Setzen sie die Spannzange wie dargestellt in die Mutter ein
 Assemble the super collet into the nut as shown



2. Setzen sie nun die in die Mutter montierte Spannzange in das Spannfutter
 Insert the assembled nut & super collet into the chuck



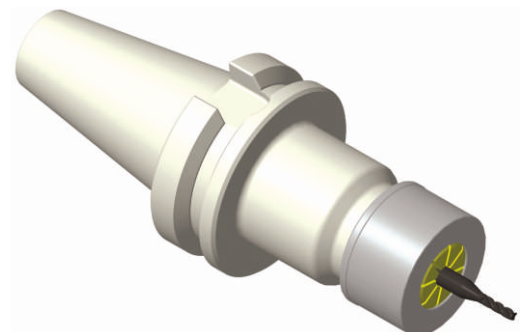
3. Setzen Sie das Werkzeug in die Spannzange ein und ziehen Sie es mit dem Spannschlüssel fest
 Insert the tool into the super collet and lock it with the specified friction wrench



4. Ziehen Sie die Mutter mit dem Spannschlüssel entsprechend dem angegebenen Drehmoment an
 Use the friction wrench to tighten the nut accordingly as per the mentioned torque value



5. Verwenden Sie den empfohlenen Drehmomentschlüssel mit Drehmomentschlüsselköpfen, um bessere Ergebnisse zu erzielen
 Use our recommended torque wrench with torque wrench heads for better results





**BILZ WERKZEUGFABRIK
GmbH & Co. KG**
Vogelsangstr. 8
73760 Ostfildern
Deutschland / Germany
Telefon +49 711 348 01 -0
Telefax +49 711 348 12 56
info@bilz.de
www.bilz.com

